



BLUE VALLEY CABINETS CANADA LTD



PRODUCT CATALOG

EUROPEAN SLAB DOOR- FRAMELESS CABINETS



BLUE VALLEY CABINETS CANADA LTD

WHERE PREMIUM QUALITY CABINETS COST LESS

117 – 6741 CARIBOO RD BURNABY BC V3N 4A3

604-420-0667

Bluevalleycabinet.com

info@bluevalleycabinet.com



ANSI/KCMA A161.1



BLUE VALLEY CABINETS CANADA

ABOUT US

Blue Valley Cabinets Canada is proud to bring quality and affordable products to the Lower Mainland of Vancouver area. Committed to excellence in both craftsmanship and customer service, we prioritize delivering the best value to our customers.

Our dedicated designers are here to help you bring your dream kitchen to life. With seven styles and colors to choose from, we're confident you'll find the perfect fit. Plus, our five-year limited warranty ensures peace of mind, demonstrating our commitment to product integrity.

Backed by our manufacturer's expertise gained from operating six sister companies across the US & Canada, we understand the importance of producing cabinets that excel in various climates. Whether you prefer professional assembly or DIY installation, we offer flexible pickup and delivery options to suit your needs.

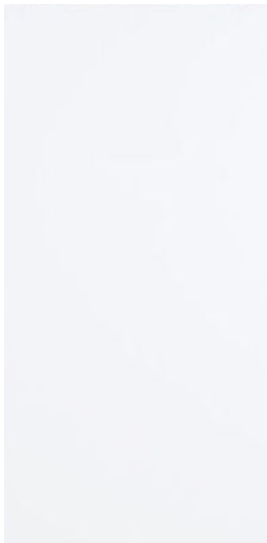
At Blue Valley Cabinets Canada, our goal is to ensure your satisfaction and leave you with a smile. Thank you for choosing us for your cabinet needs."





BLUE VALLEY CABINETS CANADA LTD

Glossy
White



Natural
Oak



Dark
Walnut



Matte
White

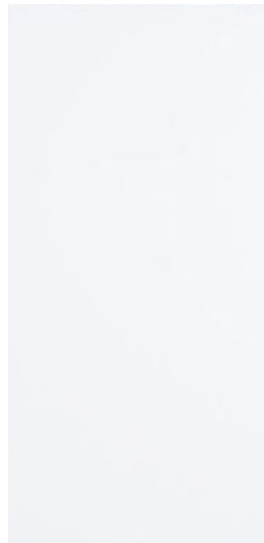


TABLE OF



Kitchen – Base Cabinets
Pg.5- 10



Kitchen – Wall Cabinets
Pg. 11 - 15



Tall Cabinets
Pg. 16 - 17



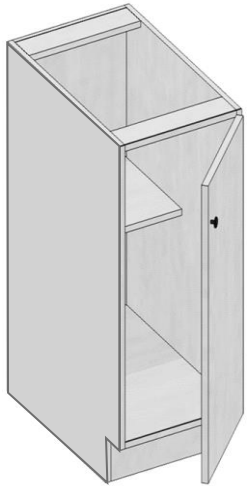
Vanity Cabinets
Pg. 18-19



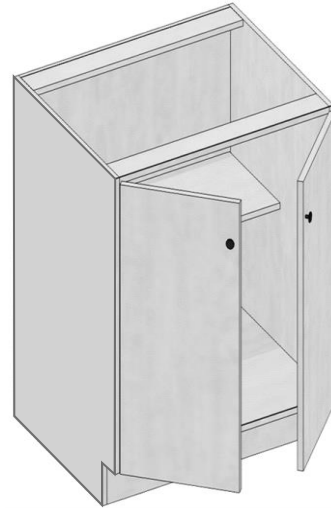
Accessories
Pg. 20-22

Kitchen – Base Cabinets

Base Cabinets- Full Height Doors



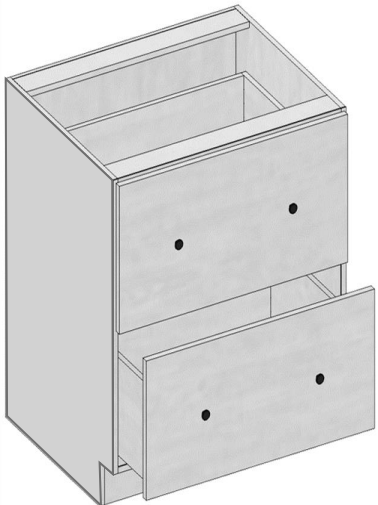
Model	B09FHD	B12FHD	B15FHD	B18FHD	B21FHD
Width	9"	12"	15"	18"	21"
Depth	24"	24"	24"	24"	24"
Height	34.5"	34.5"	34.5"	34.5"	34.5"
Adj.Shelf	1	1	1	1	1



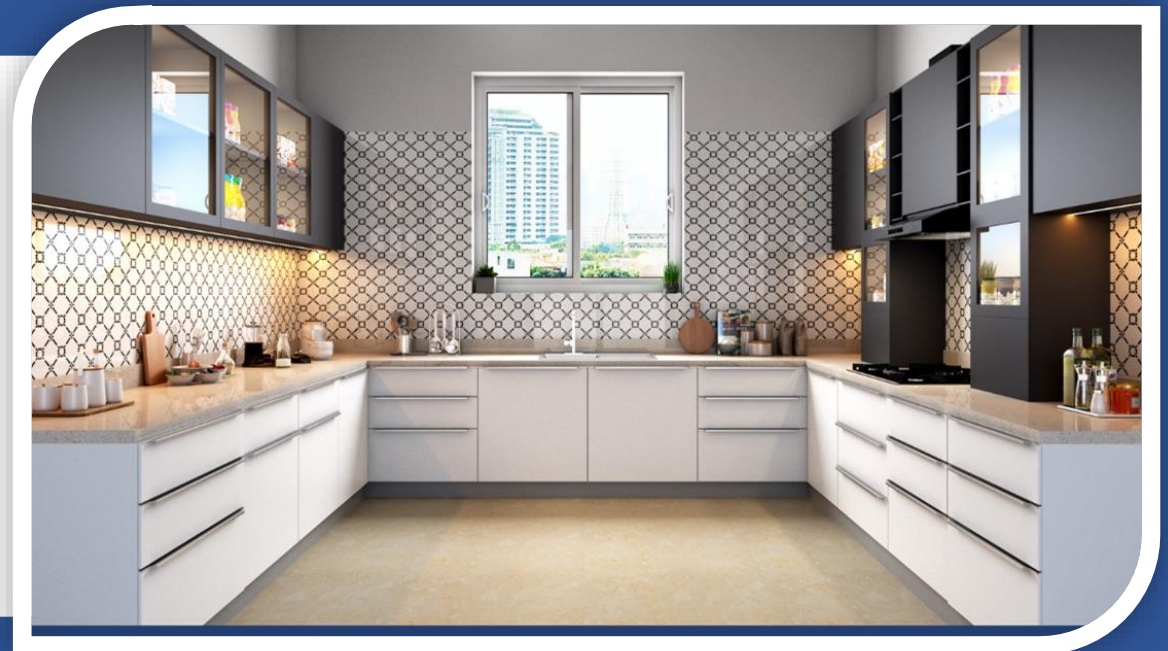
*** All base cabinets can be used as sink base

Model	B24FHD	B27FHD	B30FHD	B33FHD	B36FHD
Width	24"	27"	30"	33"	36"
Depth	24"	24"	24"	24"	24"
Height	34.5"	34.5"	34.5"	34.5"	34.5"
Adj.Shelf	1	1	1	1	1

Base Cabinets- 2 Drawer Base

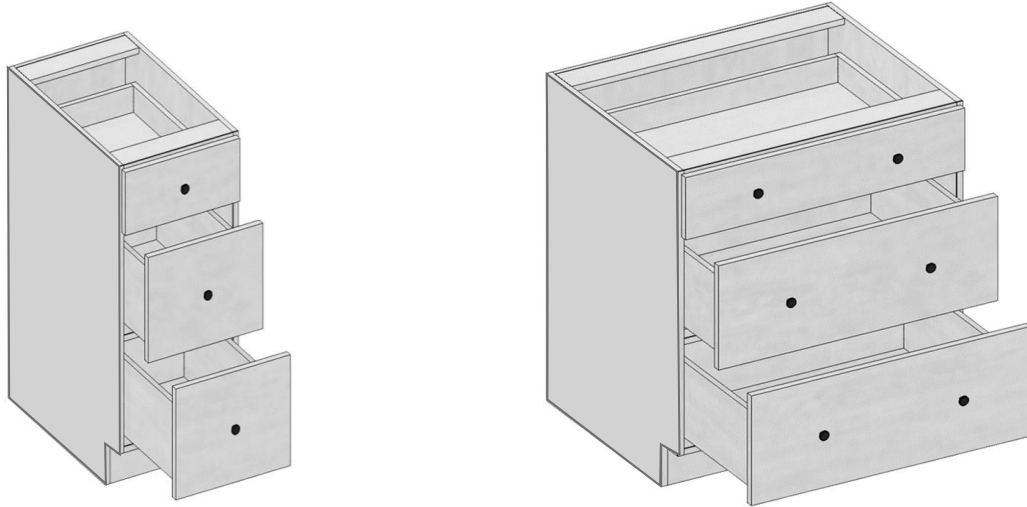


Model	2DB24	2DB30	2DB36
Width	24"	30"	36"
Depth	24"	24"	24"
Height	34.5"	34.5"	34.5"
Drawer	Top & Bottom: 15" H		



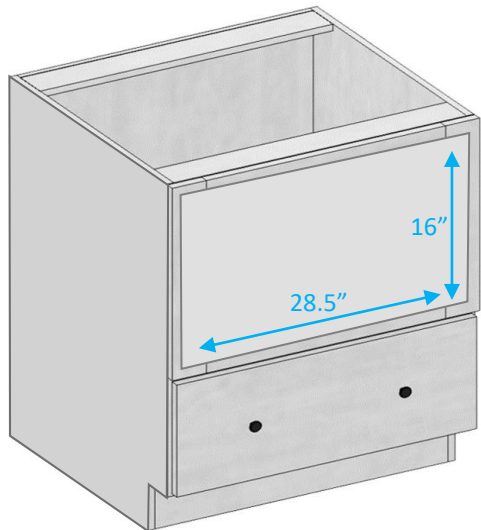
Kitchen – Base Cabinets

Base Cabinets- 3 Drawer Base

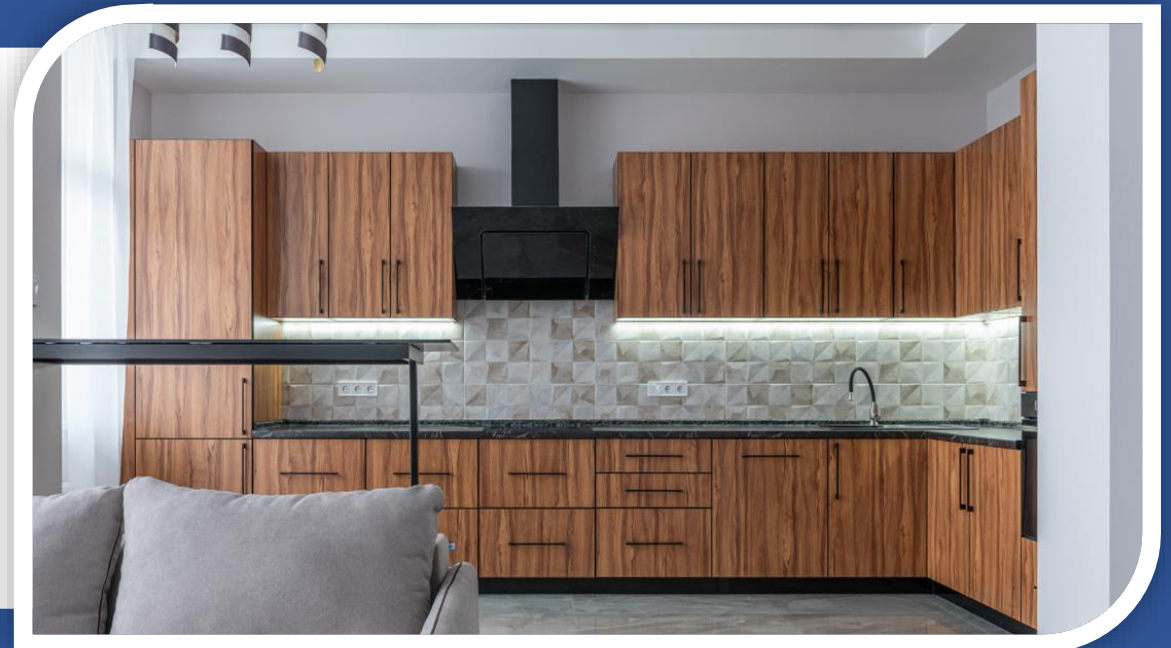


Model	DB12	DB15	DB18	DB21	DB24	DB27	DB30	DB33	DB36
Width	12"	15"	18"	21"	24"	27"	30"	33"	36"
Depth	24"	24"	24"	24"	24"	24"	24"	24"	24"
Height	34.5"	34.5"	34.5"	34.5"	34.5"	34.5"	34.5"	34.5"	34.5"
Drawer	Top: 6" H / Middle: 12"H / Bottom: 12"H								

Base Cabinets- Microwave Base

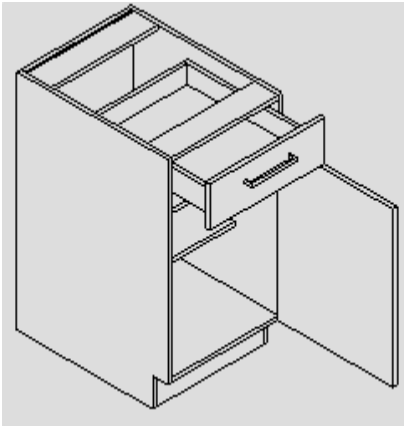


Model	BMC30
Width	30"
Depth	24"
Height	34.5"
Open	28.5"x16"



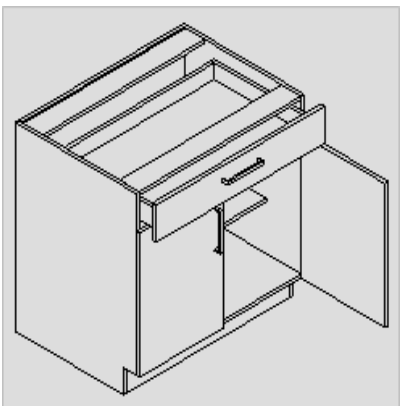
Kitchen – Base Cabinets

Base Cabinets-1Drawer 1Doors



Model	B09FHD	B12FHD	B15FHD	B18FHD	B21FHD
Width	9"	12"	15"	18"	21"
Depth	24"	24"	24"	24"	24"
Height	34.5"	34.5"	34.5"	34.5"	34.5"
Adj.Shelf	1	1	1	1	1

Base Cabinets-1Drawer 2Doors

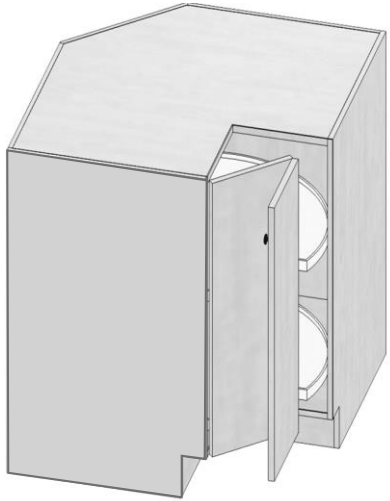


Model	B24FHD	B27FHD	B30FHD	B33FHD	B36FHD
Width	24"	27"	30"	33"	36"
Depth	24"	24"	24"	24"	24"
Height	34.5"	34.5"	34.5"	34.5"	34.5"
Adj.Shelf	1	1	1	1	1



Kitchen – Base Cabinets

Base Cabinets- Lazy Susan

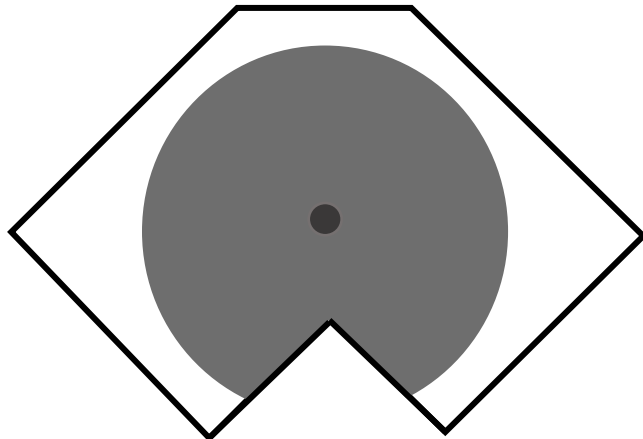


Model	BLS33	BLS36
Width	33"	36"
Depth	24"	24"
Height	34.5"	34.5"
Door size	9"	12"



Matching Accessory Insert

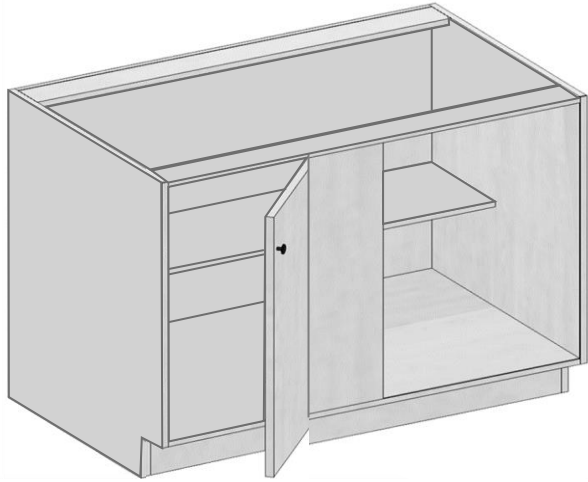
*** sold separately



Model	BCTRAY33	BCTRAY36
Trays	2	2

Kitchen – Base Cabinets

Base Cabinets – Blind Cabinet



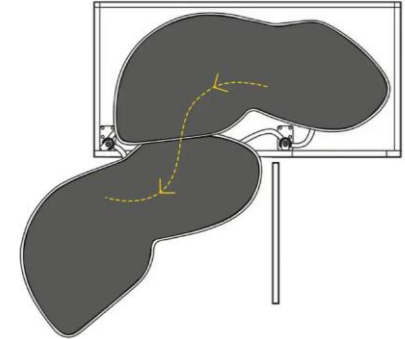
Model	BBC42-18FHD
Width	42"
Depth	24"
Height	34.5"
Door	18"
Adj.Shelf	1
Pull	3"- 6"

Matching Accessory Insert

*** sold separately



Model	BC-TRAY L	BC-TRAY-R
Trays	2	2

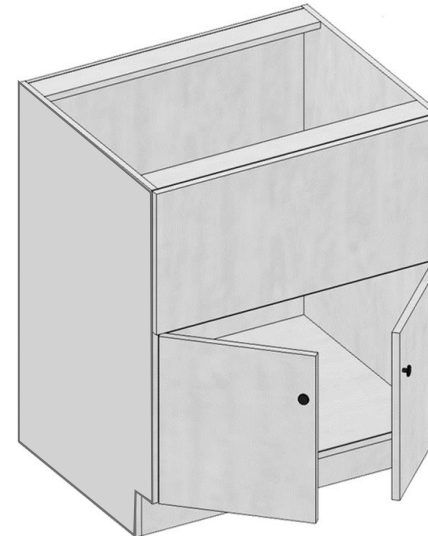


Base Cabinets- Corner Sink Base



Model	CSB36
Width	36"
Depth	24"
Height	34.5"
Door	21"

Base Cabinets- Farm Sink Base



Model	FSB36
Width	36"
Depth	24"
Height	34.5"
Sink	33"

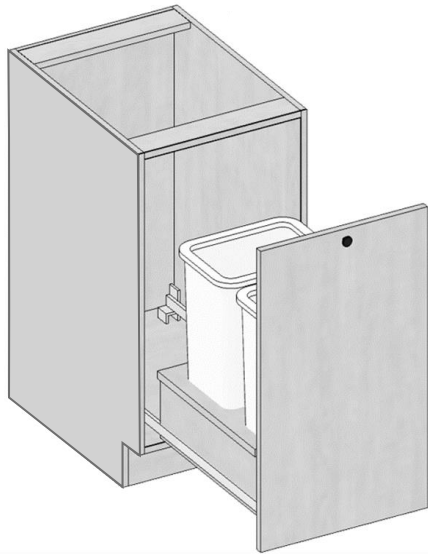
*** will have to be cut out from customer

Kitchen – Base Cabinets

Base Cabinets – Trash Pull out

Matching Accessory Insert

*** sold separately



Model	B18FHD
Width	18"
Depth	24"
Height	34.5"
Bins	2

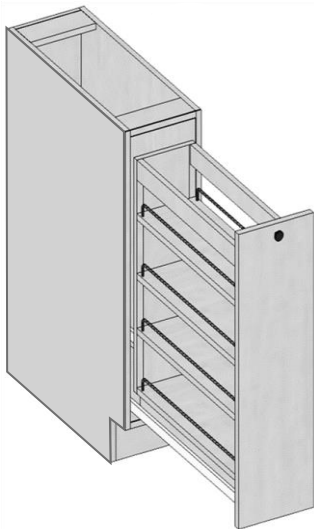


Model	
Trash Kit	1

Base Cabinets – Spice Rack

Matching Accessory Insert

*** sold separately



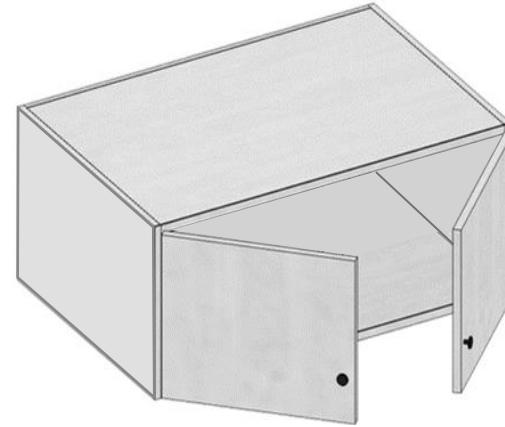
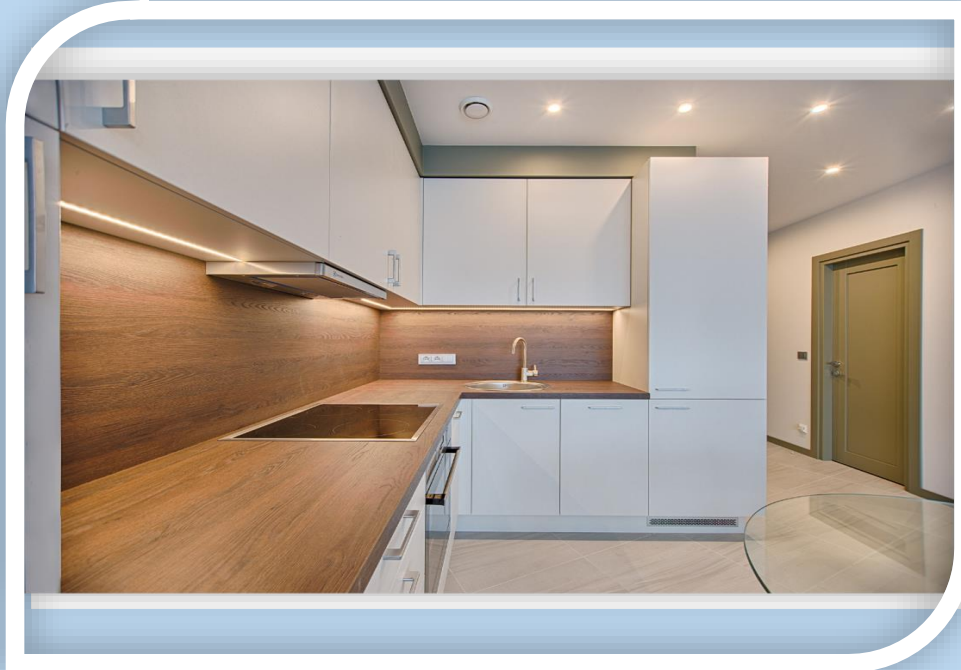
Model	SP09-L	SP09-R
Width	9"	9"
Depth	24"	24"
Height	34.5"	34.5"



Model	SR09-L	SR09-R
Tiers	3	3

Kitchen – Wall Cabinets

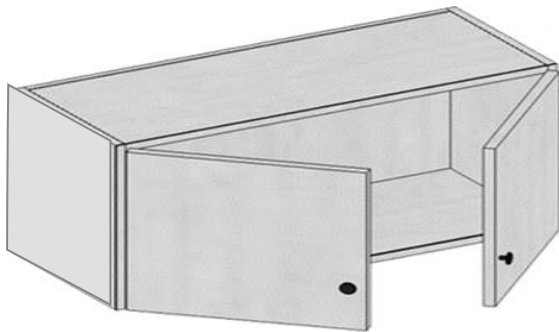
Wall Cabinets- 24" Deep



Model	W361224	W361824	W362424
Width	36"	36"	36"
Depth	24"	24"	24"
Height	12"	18"	24"
Adj.Shelf			1

Wall Cabinets- 36" Wide

Wall Cabinets- 30" Wide



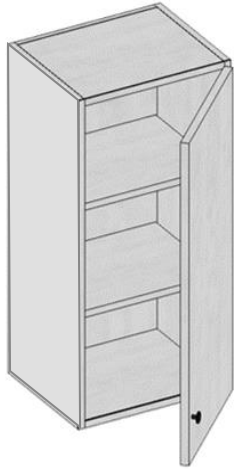
Model	W3612	W3618	W3624
Width	36"	36"	36"
Depth	12"	12"	12"
Height	12"	18"	24"
Adj.Shelf			1



Model	W3012	W3018	W3024
Width	30"	30"	30"
Depth	12"	12"	12"
Height	12"	18"	24"
Adj.Shelf			1

Kitchen – Wall Cabinets

Wall Cabinets- 30" tall

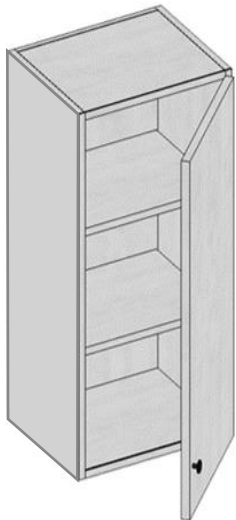


Model	W0930	W1230	W1530	W1830	W2130
Width	9"	12"	15"	18"	21"
Depth	12"	12"	12"	12"	12"
Height	30"	30"	30"	30"	30"
Adj.Shelf	2	2	2	2	2

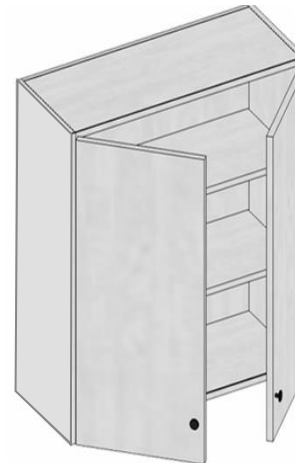


Model	W2430	W2730	W3030	W3330	W3630
Width	24"	27"	30"	33"	36"
Depth	12"	12"	12"	12"	12"
Height	30"	30"	30"	30"	30"
Adj.Shelf	2	2	2	2	2

Wall Cabinets- 36" tall



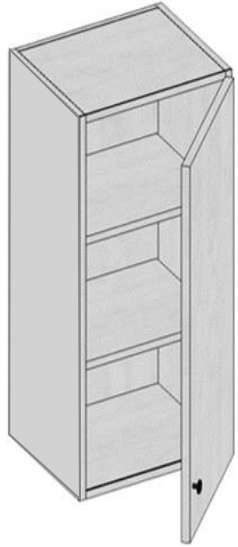
Model	W0936	W1236	W1536	W1836	W2136
Width	9"	12"	15"	18"	21"
Depth	12"	12"	12"	12"	12"
Height	36"	36"	36"	36"	36"
Adj.Shelf	2	2	2	2	2



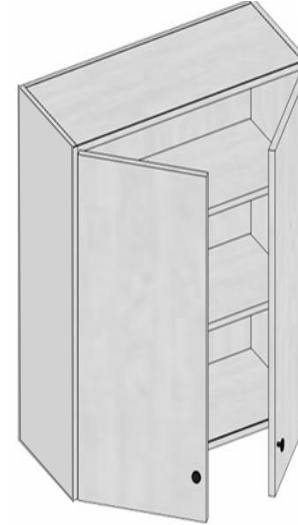
Model	W2436	W2736	W3036	W3336	W3636
Width	24"	27"	30"	33"	36"
Depth	12"	12"	12"	12"	12"
Height	36"	36"	36"	36"	36"
Adj.Shelf	2	2	2	2	2

Kitchen – Wall Cabinets

Wall Cabinets- 42" tall

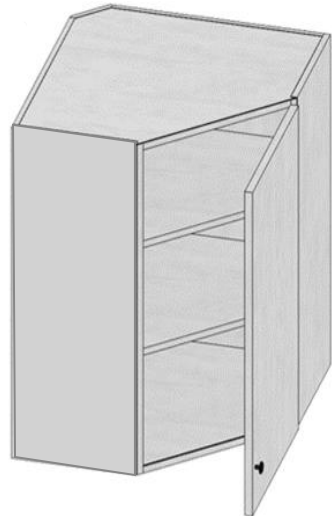


Model	W0942	W1242	W1542	W1842	W2142
Width	9"	12"	15"	18"	21"
Depth	12"	12"	12"	12"	12"
Height	42"	42"	42"	42"	42"
Adj.Shelf	2	2	2	2	2

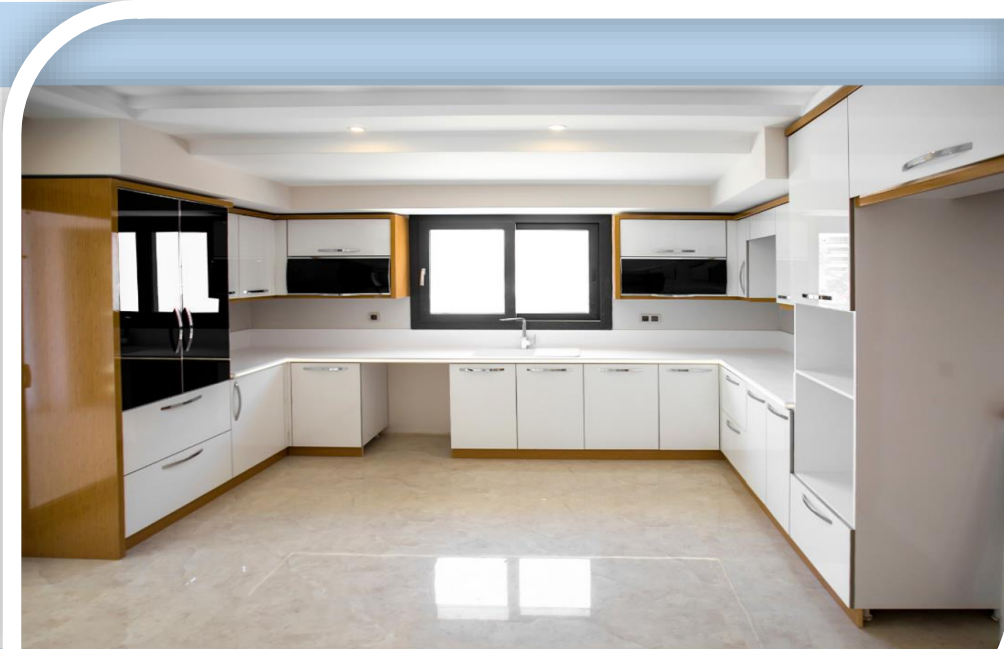


Model	W2442	W2742	W3042	W3342	W3642
Width	24"	27"	30"	33"	36"
Depth	12"	12"	12"	12"	12"
Height	42"	42"	42"	42"	42"
Adj.Shelf	2	2	2	2	2

Wall Cabinets- Corner Diagonal



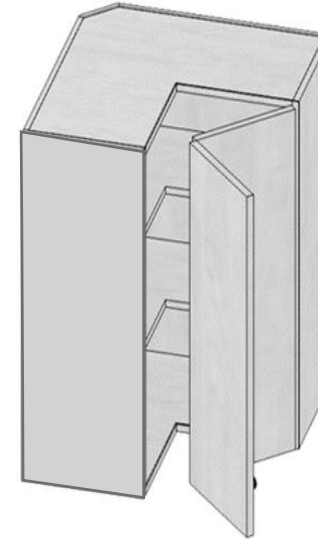
Model	WDC243012	WDC243612	WDC244212
Width	24"	24"	24"
Depth	24"	24"	24"
Height	30"	36"	42"
Adj.Shelf	2	2	2
Door	15.75"		



Kitchen – Wall Cabinets

Wall Cabinets- Corner Lazy Susan

Model	WLS243012	WLS2436	WLS2442
Width	24"	24"	24"
Depth	24"	24"	24"
Height	30"	36"	42"
Adj.Shelf	2	2	3



Metal Frame – Glass Door



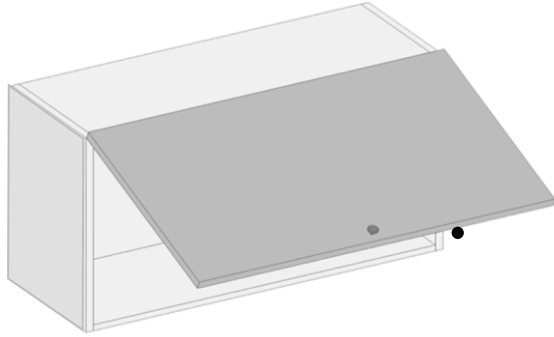
Model	WG1230	WG1530	WG1830	WDCG243012
Width	12"	15"	18"	15.5"
Depth	3/4"	3/4"	3/4"	3/4"
Height	30"	30"	30"	30"

Model	WG1236	WG1536	WG1836	WDCG243612
Width	12"	15"	18"	15.5"
Depth	3/4"	3/4"	3/4"	3/4"
Height	36"	36"	36"	36"

Model	WG1242	WG1542	WG1842	WDCG244212
Width	12"	15"	18"	15.5"
Depth	3/4"	3/4"	3/4"	3/4"
Height	42"	42"	42"	42"

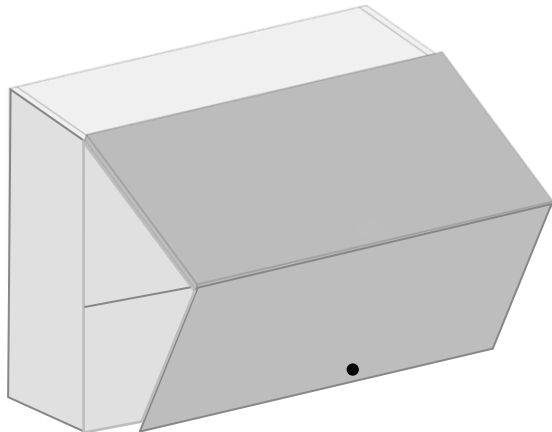
Kitchen – Wall Cabinets

Horizontal Wall Cabinets- Lift Up

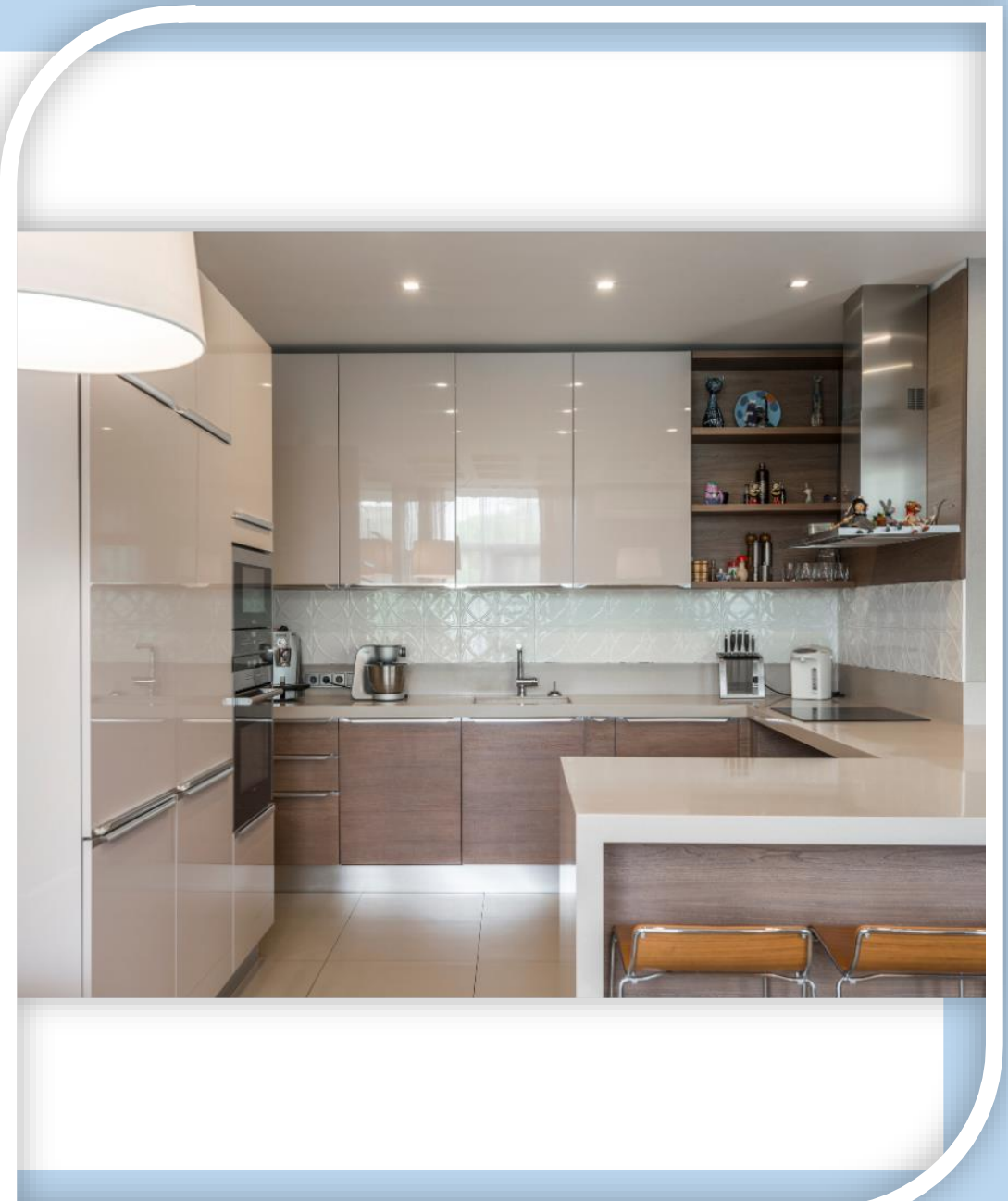


Model	W3015BF	W3018BF
Width	30"	36"
Depth	12"	12"
Height	15"	18"
Adj.Shelf	0	0

Horizontal Wall Cabinets- Bi-Fold Lift Up

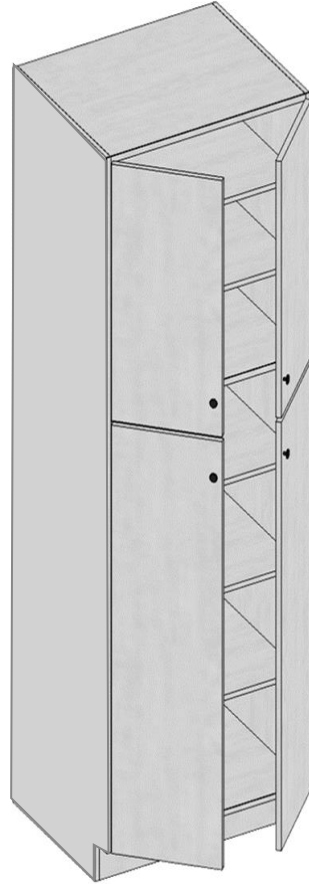


Model	W3030BF	W3630BF	W3036BF	W3636BF
Width	30"	36"	30"	36"
Depth	12"	12"	12"	12"
Height	30"	30"	36"	36"
Adj.Shelf	2	2	2	2



Kitchen – Tall Cabinets

Tall Cabinets- Pantry



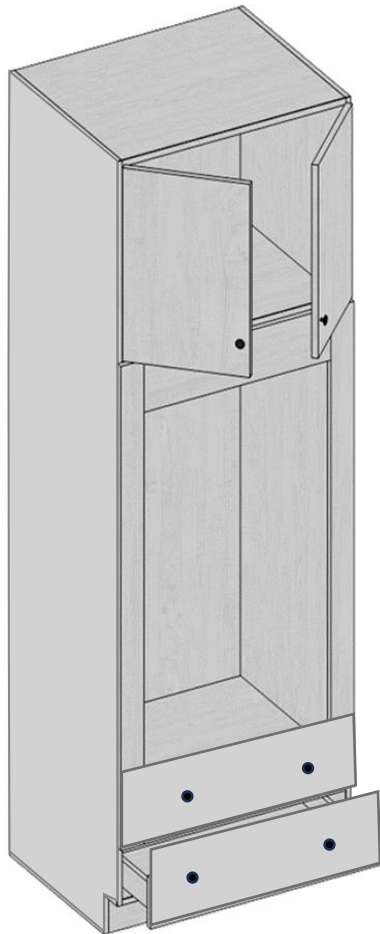
Model	PC188424	PC189024	PC189624
Width	18"	18"	18"
Depth	24"	24"	24"
Height	84"	90"	96"
Adj.Shelf	3	4	4
Doors	30"H / 49" H	36"H / 49" H	42"H / 49" H

Model	PC248424	PC249024	PC249624
Width	24"	24"	24"
Depth	24"	24"	24"
Height	84"	90"	96"
Adj.Shelf	3	4	4
Doors	30"H / 49" H	36"H / 49" H	42"H / 49" H

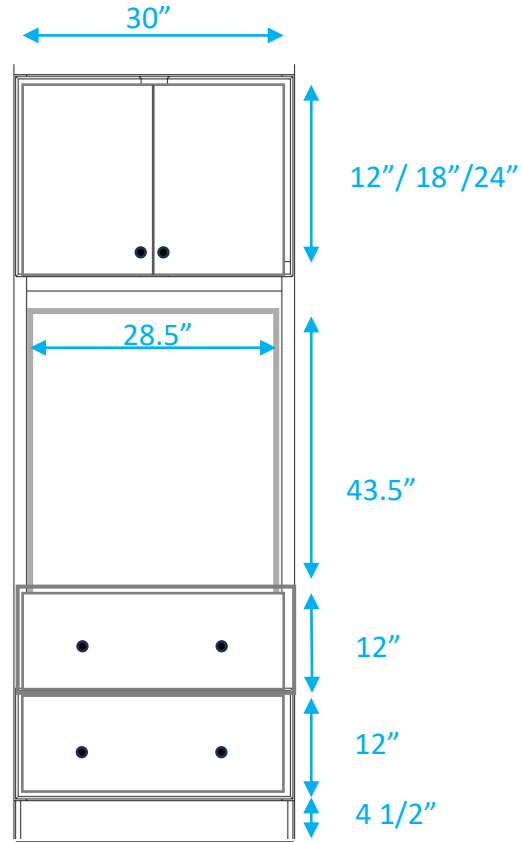
Model	PC308424	PC309024	PC309624
Width	30"	30"	24"
Depth	24"	24"	24"
Height	84"	90"	96"
Adj.Shelf	3	4	4
Doors	30"H/ 49"H	36"H/ 49"H	42"H/ 49"H

Kitchen – Tall Cabinets

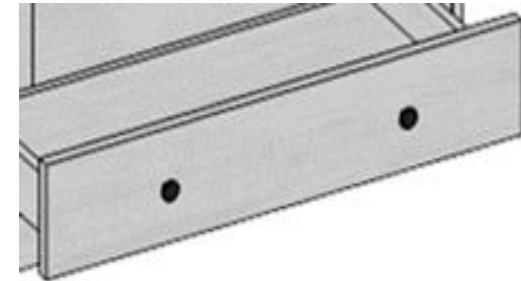
Tall Cabinets- Oven/Microwave



*** Additional filler & drawer may be needed depending on appliance dimensions



Model	OC308424	OC309024	OC309624
Width	30"	30"	30"
Depth	24"	24"	24"
Height	84"	90"	96"
Door	12" H	18" H	24" H
Drawer	2- 11" H		
Opening	29" x 48"		



Oven/Microwave Cabinet drawers

Model	OBD12"
Width	30"
Depth	24"
Height	12"

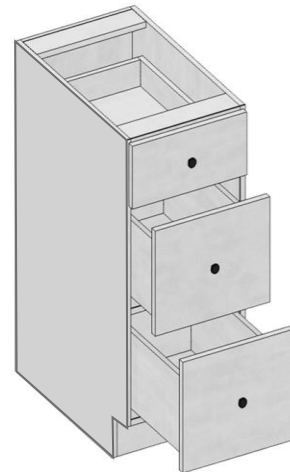
Bathroom – Vanity Cabinets

Vanity Cabinets- Sink Base



Model	VSB24FHD	VSB27FHD	VSB30FHD	VSB33FHD	VSB36FHD
Width	24"	27"	30"	33"	36"
Depth	21"	21"	21"	21"	21"
Height	34.5"	34.5"	34.5"	34.5"	34.5"

Vanity Cabinets- Drawer Base

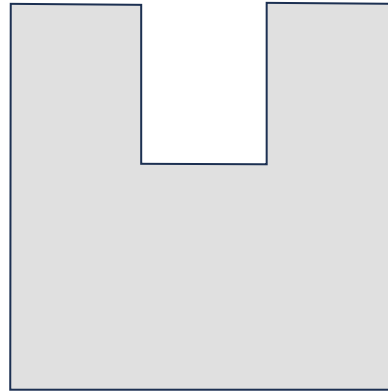
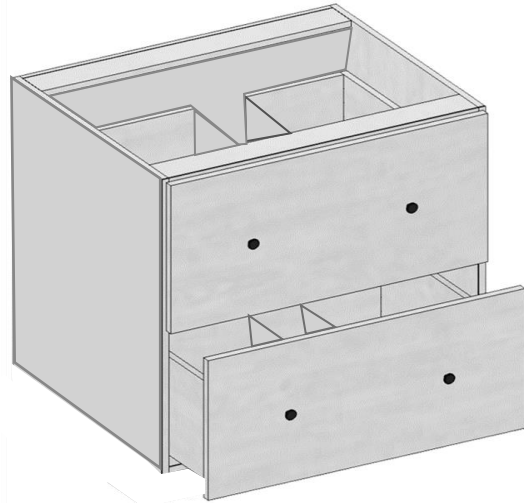


Model	VDB12	VDB15	VDB18	VDB21	VDB24
Width	12"	15"	18"	21"	24"
Depth	21"	21"	21"	21"	21"
Height	34.5"	34.5"	34.5"	34.5"	34.5"



Bathroom – Vanity Cabinets

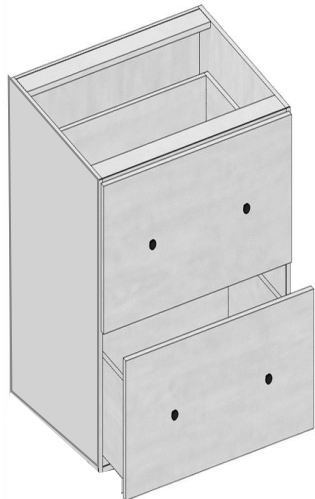
Vanity Cabinets- Floating Vanity Drawer Sink Base



*** "U" shape drawer to go around plumbing, must confirm plumbing center

Model	FVSD24	FVSD30	FVSD36
Width	24"	30"	36"
Depth	21"	21"	21"
Height	24"	24"	24"

Vanity Cabinets- Floating Vanity Drawer Base



Model	FVDB12	FVDB15	FVDB18	FVDB21	FVDB24
Width	12"	15"	18"	21"	24"
Depth	21"	21"	21"	21"	21"
Height	24"	24"	24"	24"	24"

Vanity Cabinets- Floating Vanity Sink Base



Model	FVSB24	FVSB27	FVSB30	FVSB33	FVSB36
Width	24"	27"	30"	33"	36"
Depth	21"	21"	21"	21"	21"
Height	24"	24"	24"	24"	24"

Accessories



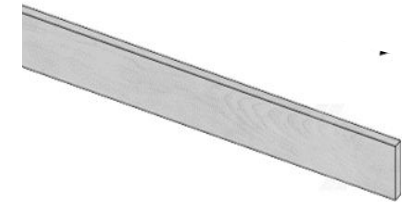
Dishwasher Panel



Model	DWR3
Width	3"
Depth	24"
Height	34.5"

Toe Kick

Model	TK8
Width	4.5"
Depth	0.25"
Height	96"



Fillers



Model	TF384	TF390	TF696
Width	3"	3"	3"
Depth	0.75"	0.75"	0.75"
Height	84"	90"	96"

Model	TF684	TF690	TF696
Width	6"	6"	6"
Depth	0.75"	0.75"	0.75"
Height	84"	90"	96"

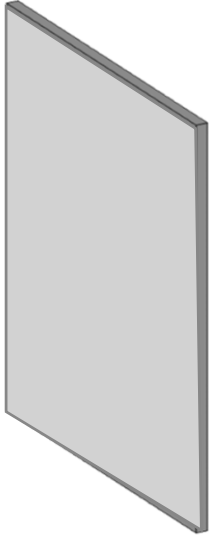


Model	WF3 30	WF3 36	WF3 42
Width	3"	3"	3"
Depth	0.75"	0.75"	0.75"
Height	30"	36"	42"

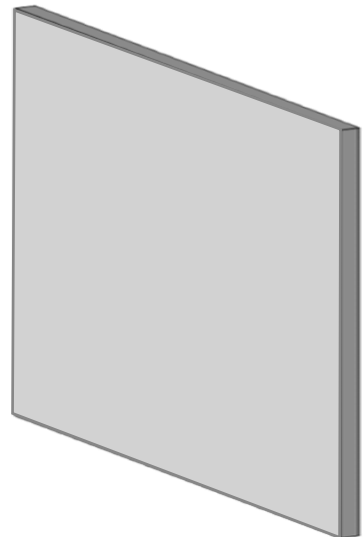
Model	WF6 30	WF6 36	WF6 42
Width	6"	6"	6"
Depth	0.75"	0.75"	0.75"
Height	30"	36"	42"

Accessories

End Panel



Model	PANEL 34.5"*26"*3/4"
Width	26"
Depth	3/4"
Height	34.5"

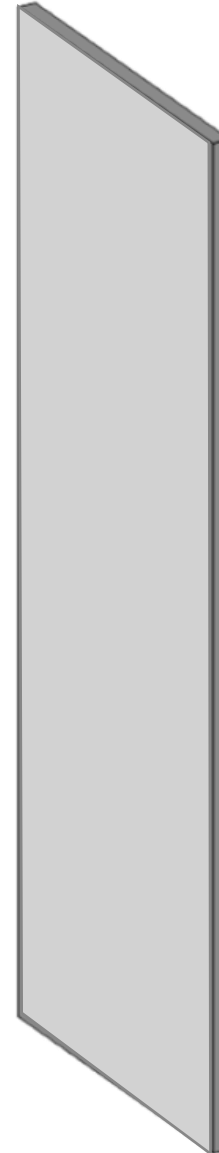


Model	PANEL 34.5"*36"*3/4"
Width	36"
Depth	3/4"
Height	34.5"

*** Used for double sided island 24" & 12" back to back

Skin Panel

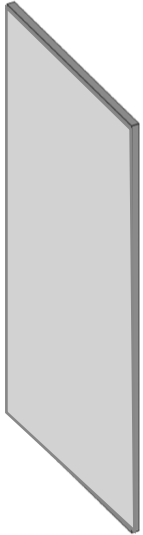
Refrigerator Panel



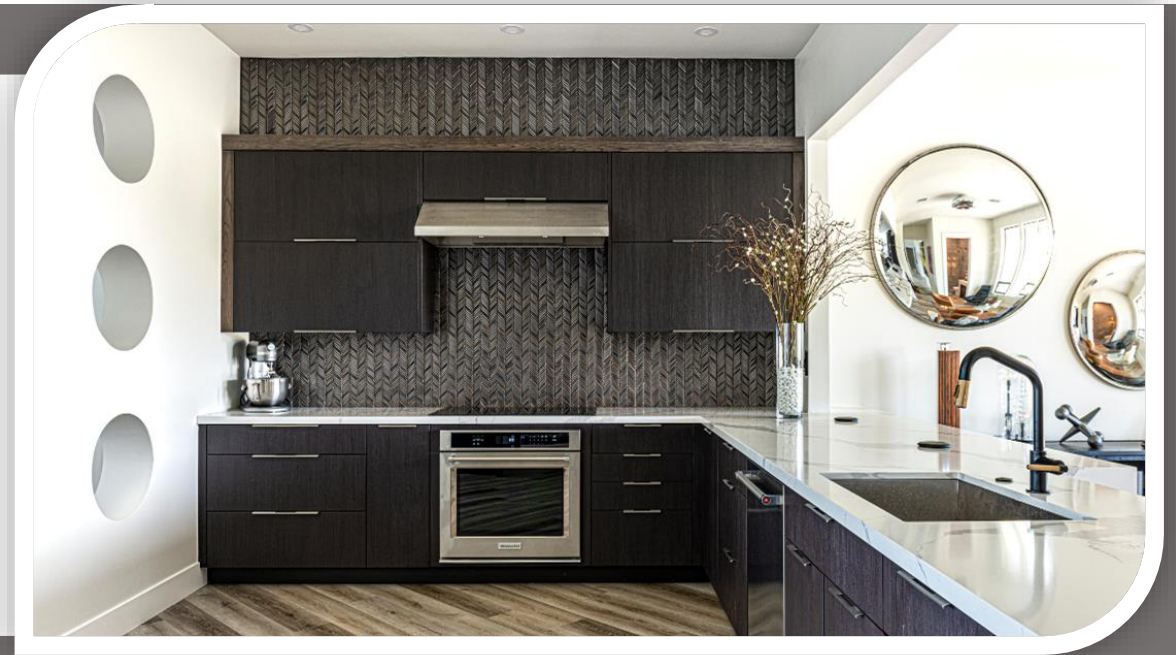
Model	PANEL 34.5"*96"*3/4"
Width	34.5"
Depth	3/4"
Height	96"

Model	REP8425	REP9025	REP9625
Width	25"	25"	25"
Depth	3/4"	3/4"	3/4"
Height	84"	90"	96"

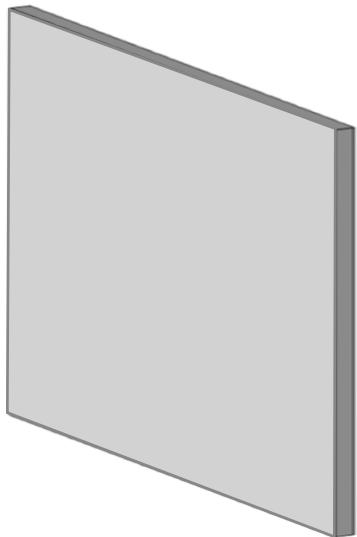
Wall End Panel



Model	FD1230	FD136	FD1342
Width	13"	13"	13"
Depth	3/4"	3/4"	3/4"
Height	30"	36"	42"

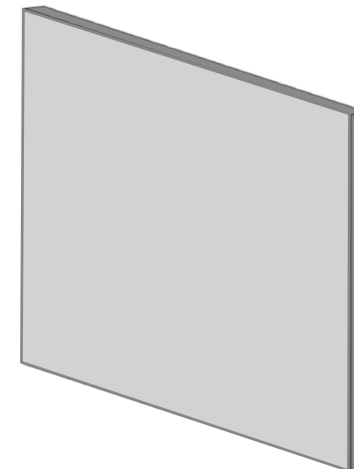


Base End Panel



Model	BFD25	BFD22
Width	25"	22"
Depth	3/4"	3/4"
Height	34.5"	34.5"

Floating Vanity End Panel



Model	FVFD22
Width	22"
Depth	3/4"
Height	24"